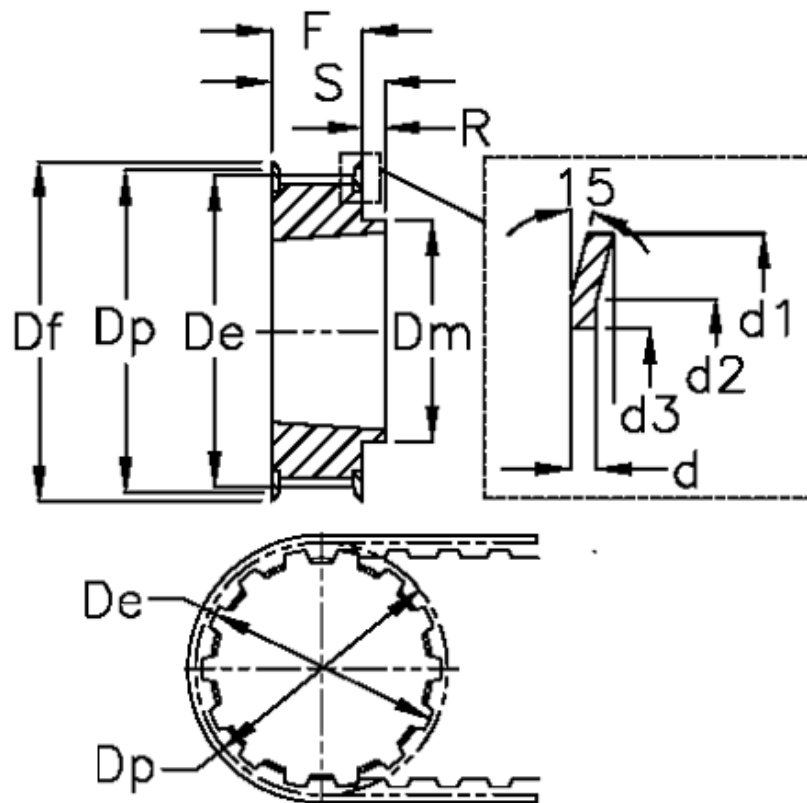


Article number: 604130048015

Description: Taper bored timing belt pulley
HTD 48 5M 15 TL 1210

Measures



d = 1	F = 22	Weight = -
d1 = 83	Flange type = F29	Width = 15
d2 = 78	For bushing = 1210	
d3 = 68	Max bore = 32	
De = 75.25	r = 3	
Df = 83	S = 25	
Dm = 59	Tooth number = 48	
Dp = 76.39	Type = 5M	